



PRODUCTS CATALOGUE

MEC+

WE THINK, DESIGN
AND CREATE IN ITALY.

The basis of everything is in the people who study and believe our products and services. We believe that our 20-year experience in this business can allow us to create high-performance and innovative products that are always in line with the continuous evolution of the market.

The one who hesitates is lost...
Whoever stops thinking, creating and testing is lost.

**WE ARE THINKER, WE ARE DESIGNER, WE ARE PRODUCER,
WE ARE ITALIAN, WE ARE PEOPLE...WE ARE MEC PLUS!**




AUTOMATIC GATES

BE-GATE

TUBULAR GATE
BI-DIRECTIONAL MOTORISED

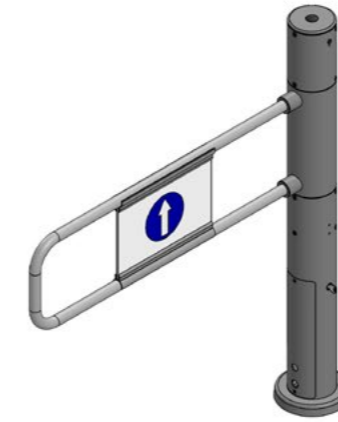


Available with

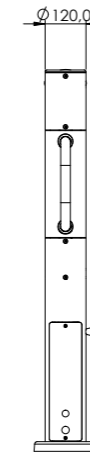
-  tubular arm standard
-  extendible tubular arm standard
-  aluminium tubular arm with "P-turned" profile

Application areas

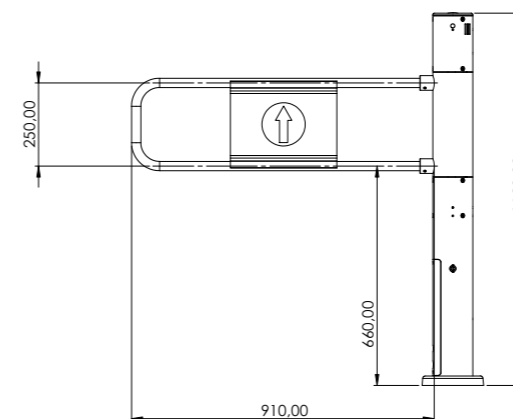
- ◆ OFFICES
- ◆ RECEPTION AREAS
- ◆ GYMS
- ◆ MUSEUMS
- ◆ SPORTS FACILITIES
- ◆ POOLS



SIZES - LATERAL VIEW



SIZES - FRONT VIEW



SIZES - TOP VIEW



ACCESSORIES

- Radar opening
- Photocell opening
- Anti return alarm
- Normally Open
- Normally Closed
- Barcode reader
- Remote consolle
- Remote control
- Single tandem
- Double tandem
- Voice alarm
- Power supply from the top
- Opening counter
- Security photocell
- Led light

DESCRIPTION

Be-gate is the entrance gate, it welcomes and guides users and manages their flow, designed and developed in Italy.

The accessories are point of force that allows this Be-gate to be useful in all situations and can be easily used. In entrance areas to successfully control people's access. Equipped with latest generation electronic devices, it is equipped with software by means of which it is possible to vary the programs and parameters of use with the aid of a joystick in the various menus of our firmware. The electronic board monitors and controls the opening speed and impact power to avoid hard impacts with children and sensitive people. The Be-gate can be connected to fire systems so that the door opens automatically in the intended direction of escape.

MATERIALS

Column and arm (std)	chromed or painted steel
Cap and Base cover	chromed or painted steel
Mechanism	galvanized steel
Signage table	plastic with acrylic print

FEATURES

Drive	Bi-directional gate
Power supply unit	Single-phase 110/220 V AC @ 50/60 Hz
Control logic	26 V DC
Absorption	60 W
Electromagnetic brake	Present and controlled by the CPU
Clutch	Present
Rotation speed (90°)	2 s +/- 10% (tolerance)
Operating temperature	-10 - +50 °C @ 20 - 90% RH (no cond.)
Weight	29 kg
IP degree	IP 21
Standard	In according to CE Certification

COLORS & CUSTOMIZATIONS



SECURITY SYSTEMS

POWER FAILURE: In the event of a power failure, the battery you are free to move (UNI EN 1125). When the power supply return, if the arm has been moved from its "closed" position, it will automatically return to its position.

IMPACT: In case of accidental impact with people or things, the torque is less than 5 N·m with simultaneous stop immediate of the engine.

ANTI-PANIC: If the arm is powered and closed, it is possible force it open with a push ≈ 30 N·m (UNI EN 1125); the alarm is activated immediately and after a programmable interval the arm returns automatically.

BE-GATE

PLEXIGLASS GATE
BI-DIRECTIONAL MOTORISED



Application areas

- ◆ OFFICES
- ◆ RECEPTION AREAS
- ◆ GYMS
- ◆ MUSEUMS
- ◆ SPORTS FACILITIES
- ◆ POOLS

DESCRIPTION

Be-gate is the entrance gate, it welcomes and guides users and manages their flow, designed and developed in Italy.

The accessories are point of force that allows this Be-gate to be useful in all situations and can be easily used. In entrance areas to successfully control people's access. Equipped with latest generation electronic devices, it is equipped with software by means of which it is possible to vary the programs and parameters of use with the aid of a joystick in the various menus of our firmware. The electronic board monitors and controls the opening speed and impact power to avoid Hard impacts with children and sensitive people. The Be-gate can be connected to fire systems so that the door opens automatically in the intended direction of escape.

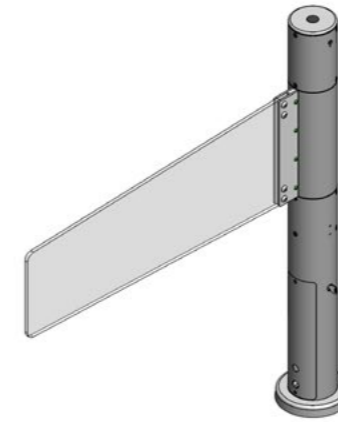
MATERIALS

Column and arm (std)	chromed or painted steel
Cap and Base cover	chromed or painted steel
Mechanism	galvanized steel
Signage table	plastic with acrylic print

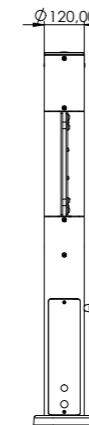
FEATURES

Drive	Bi-directional gate
Power supply unit	Single-phase 110/220 V AC @ 50/60 Hz
Control logic	26 V DC
Absorption	60 W
Electromagnetic brake	Present and controlled by the CPU
Clutch	Present
Rotation speed (90°)	2 s +/- 10% (tolerance)
Operating temperature	-10 - +50 °C @ 20 - 90% RH (no cond.)
Weight	29 kg
IP degree	IP 21
Standard	In according to CE Certification

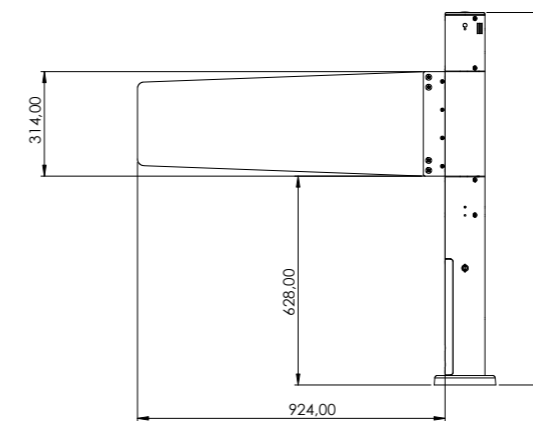
COLORS & CUSTOMIZATIONS



SIZES - LATERAL VIEW



SIZES - FRONT VIEW



SIZES - TOP VIEW



ACCESSORIES

- Radar opening
- Photocell opening
- Anti return alarm
- Normally Open
- Normally Closed
- Barcode reader
- Remote console
- Remote control
- Single tandem
- Double tandem
- Voice alarm
- Power supply from the top
- Opening counter
- Security photocell
- Led light
- Polycarbonate arm
- Plexiglass arm with LED
- Customer Logo

SECURITY SYSTEMS

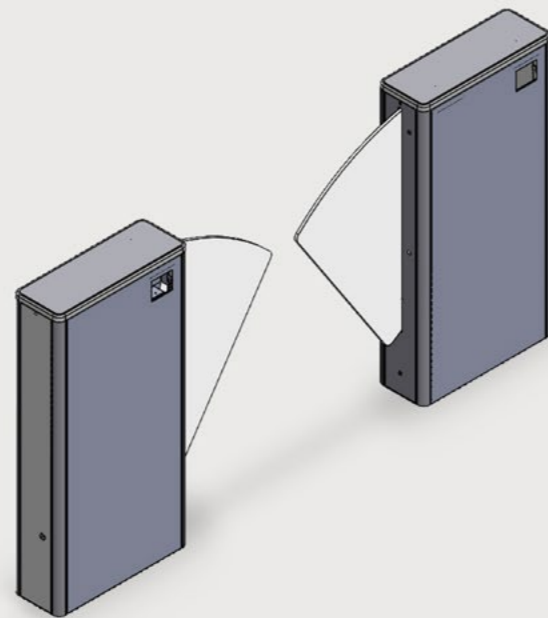
POWER FAILURE: In the event of a power failure, the battery you are free to move (UNI EN 1125). When the power supply return, if the arm has been moved from its "closed" position, it will automatically return to its position.

IMPACT: In case of accidental impact with people or things, the torque is less than 5 N-m with simultaneous stop immediate of the engine.

ANTI-PANIC: If the arm is powered and closed, it is possible force it open with a push ≈ 30 N-m (UNI EN 1125); the alarm is activated immediately and after a programmable interval the arm returns automatically.

BUTTERFLY

HIGH-SPEED GATE
SLIDING MOTORISED



Application areas

- ◆ OFFICES
- ◆ RECEPTION AREAS
- ◆ GYMS
- ◆ MUSEUMS
- ◆ SPORTS FACILITIES
- ◆ POOLS

DESCRIPTION

Butterfly is the innovation of the barrier by reducing the overall dimensions to a minimum and creating the competent tastes to manage the self-checkouts, in fact it welcomes and guides users and manages their flow, designed and developed in Italy. In addition to the innovative design, the Butterfly is the quietest on the market due to a new technology. The accessories are the touch that allows this Butter Fly to be useful in all situations and can easily be employed. In entrance areas and overall in the check out zone to successfully control people's access or exit Equipped with latest generation electronic devices, it is equipped with software by means of which it is possible to vary the programs and parameters of use with the aid of a joystick in the various menus of our firmware. Elegant in its manners and silent, it is a butterfly that flaps its wings to guide customers towards the exit of the shop.

MATERIALS

Structure (std)	painted
Cap and Shields	steel
Mechanism	galvanized steel
Doors	polycarbonate and customizable

FEATURES

Drive	Sliding gate
Power supply unit	Single-phase 110/220 V AC @ 50/60 Hz
Control logic	26 V DC
Absorption	60 W
Electromagnetic brake	Present and controlled by the CPU
Rotation speed (90°)	2 s +/- 10% (tolerance)
Operating temperature	-10 - +50 °C @ 20 - 90% RH (no cond.)
Weight	45 kg
IP degree	IP 21
Standard	In according to CE Certification

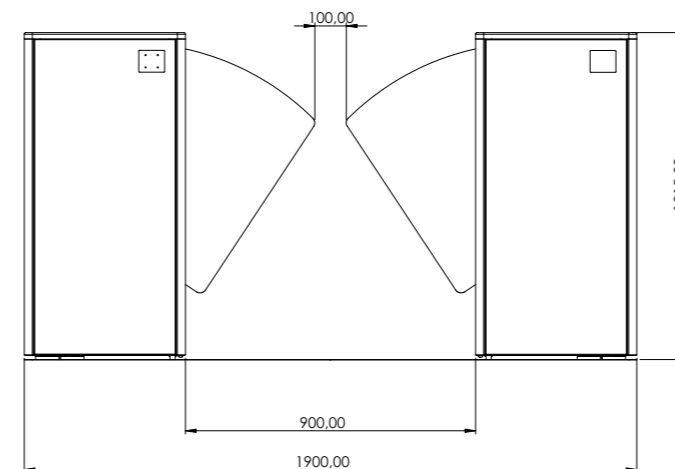
COLORS & CUSTOMIZATIONS



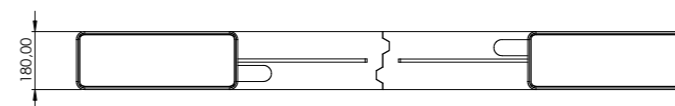
SIZES - LATERAL VIEW



SIZES - FRONT VIEW



SIZES - TOP VIEW



ACCESSORIES

- Radar opening
- Photocell opening
- Normally Open
- Normally Closed
- Barcode reader
- Remote console
- Remote control
- Voice alarm
- Opening counter
- Security photocell
- Led light

SECURITY SYSTEMS

POWER FAILURE: In the event of a power failure, the battery you are free to move (UNI EN 1125). When the power supply return, if the arm has been moved from its "closed" position, it will automatically return to its position.

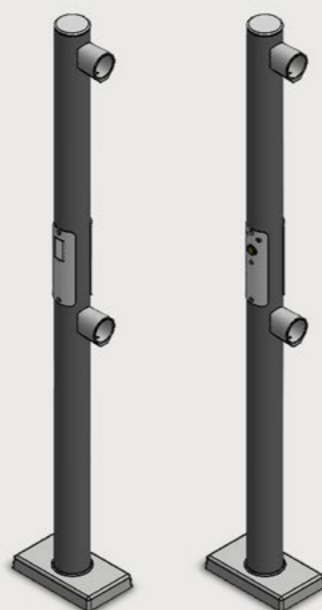
IMPACT: In case of accidental impact with people or things, the torque is less than 5 N-m with simultaneous stop immediate of the engine.

ANTI-PANIC: If the arm is powered and closed, it is possible force it open with a push ≈ 30 N-m (UNI EN 1125); the alarm is activated immediately and after a programmable interval the arm returns automatically.

ACTIVATION KITS ACCESSORIES FOR AUTOMATIC GATES

PHOTOCELL

ACTIVATION KIT ACCESSORY
FOR AUTOMATIC GATES



DESCRIPTION

The most precise of the activation systems, it does not miss and also has the longest longevity among the various activation systems. It is a pair of uprights with relative barriers connected to the electric gate, one upright is the photocell while the second perfectly aligned is its match with a reflector. If you cut the light beam of the photocell, the gate opens allowing the user to pass through. This product needs at least 1 m² to be able to install it, there must be just the right distance to be effective. The photocell post must be at least 1 m from the electric gate to make a good job, this system is recommended for those who want a long-lasting gate.

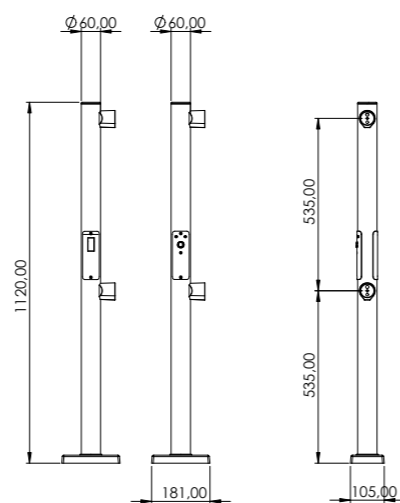
MATERIALS

Structure (std)	chromed or painted steel
Base cover	steel

COLORS & CUSTOMIZATIONS



SIZES - LATERAL VIEWS

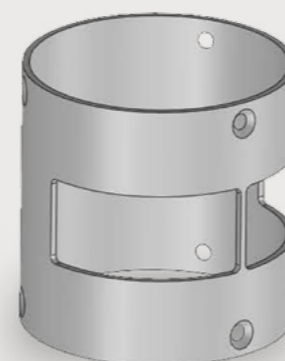


SIZES - TOP VIEWS



RADAR

ACTIVATION KIT ACCESSORY
FOR AUTOMATIC GATES



DESCRIPTION

The radar is one of the most used accessories for electric hatches. Created in the 90s, it innovated the market for its ease of installation and also the clear reduction in space compared to photocell systems which normally occupy 1 metre. The Radar is mounted directly on top of the gate as an add-on kit and takes up no space and is therefore available for sale. For single gate there is also the option of an additional radar to extend the detection range.

MATERIALS

Column (std)	chromed or painted steel
Cap	steel
Protective screen	black painted

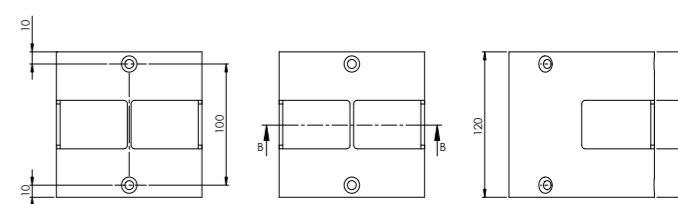
COLORS & CUSTOMIZATIONS



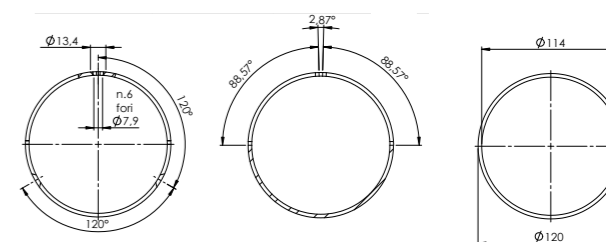
ACCESSORIES

- Additional radar
- Top power supply kit

SIZES - LATERAL VIEWS

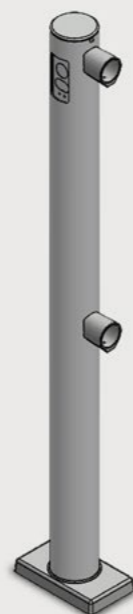


SIZES - TOP VIEWS



ANTI-RETURN ALARM KIT

ACTIVATION KIT ACCESSORY FOR AUTOMATIC GATES



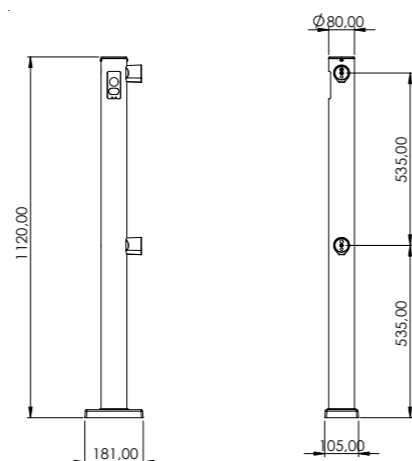
DESCRIPTION

The best-selling accessory of recent years, it verifies that the user is using the gate in the correct direction inside the store, if this is not the case, it warns the user via an audible alarm that he is crossing the gate in the non-permitted direction. Useful for helping the flow of customers and minimizing unwanted exits from the entrance, the sensor, in addition to signaling this violation, will continue to sound for a limited period until the user returns to the correct path. This sensor is a photocell which is inserted in the rear rail, useful for protecting the arm during the movement.

COLORS & CUSTOMIZATIONS

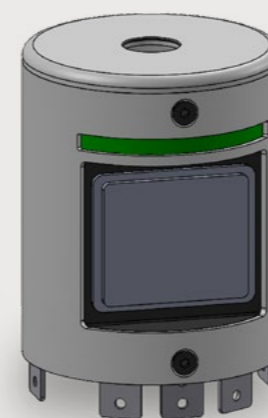


SIZES - LATERAL VIEWS



BAR CODE READER

ACTIVATION KIT ACCESSORY FOR AUTOMATIC GATES



DESCRIPTION

The "Bar code reader" activation kit allows for a gate to pass through only users with a regular receipt (or a Ticket) containing a previously generated bar code. The presentation of an invalid receipt may generate a visual and audible alarm that draws attention to the subject. The Validation column can be used at the entrance or exit of specific Areas. Installed near the exit, it allows to check if the user has a valid barcode thus avoiding the check by a natural person. The terminal is equipped with a CPU with an internal clock which allows it to function autonomously, or connected to a server, when a user presents the ticket/receipt, the terminal verifies the code autonomously and grants the transit by opening the automatic doors or denies it by generating an audible alarm which calls the attention of the service personnel.

SCANNABLE CODES AVAILABLE

EAN 13 EAN 128 QR Code Code 39

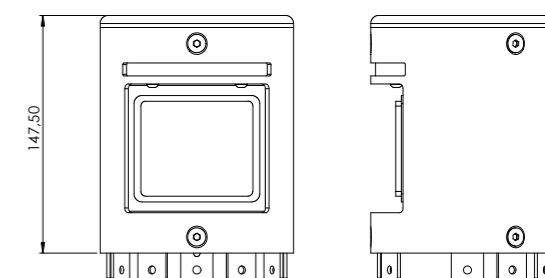
COLORS & CUSTOMIZATIONS



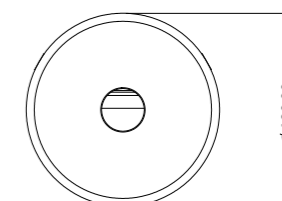
ACCESSORIES

- Remote control
- Operator cards
- Security photocell

SIZES - LATERAL VIEWS



SIZES - TOP VIEWS

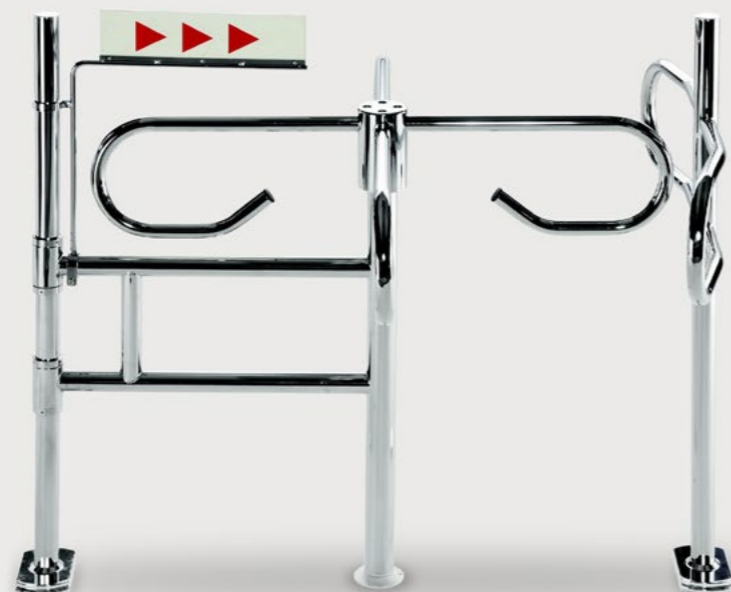


MECHANICAL GATES

TURNSTILE

UNI-DIRECTIONAL MECHANICAL GATE

mec+
plus people



Application areas

- ◆ OFFICES
- ◆ RECEPTION AREAS
- ◆ GYMS
- ◆ MUSEUMS
- ◆ SPORTS FACILITIES
- ◆ POOLS

DESCRIPTION

You can't change a winning team, an evergreen, safe, effective and economical product. It is based on the unidirectional rotation of the 4 arms which allow the passage of a single user in one direction only. Effective is made entirely of chromed or varnished steel. On request it can be completed with the trolley passage device, available in different sizes. Installation is easy and intuitive without the need for electrical or building preparations. The basic kit consists of the frame, the head with one-way rotation.

COLORS & CUSTOMIZATIONS



CHROMED STEEL



CUSTOM
ANY RAL COLOUR

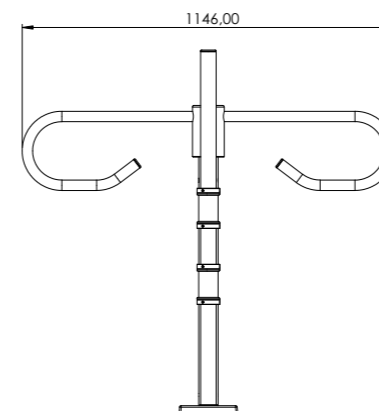
FEATURES

Drive	Uni-directional mechanics
Weight	15 kg
IP degree	IP 21
Standard	In according to CE Certification

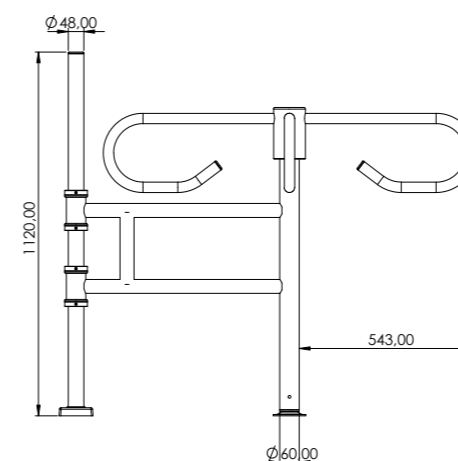
MATERIALS

Frame, head and arms	chromed or painted steel
Uprights and bars	chromed or painted steel
Mechanism	galvanized steel
Signage table	plastic with acrylic print

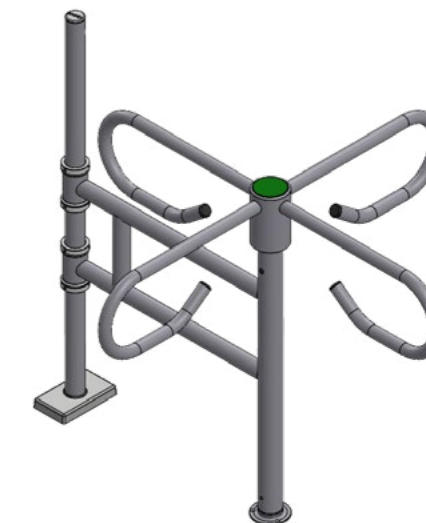
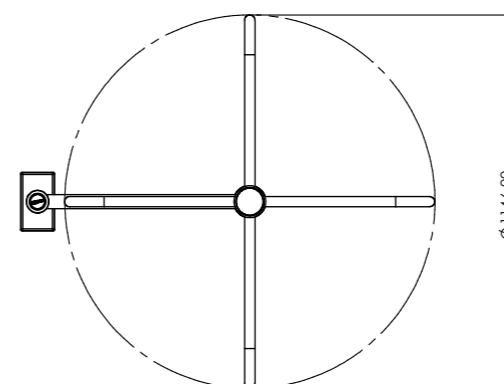
SIZES - LATERAL VIEW



SIZES - FRONT VIEW



SIZES - TOP VIEW



ACCESSORIES

Passage for trolley - 4, 6 or 8 flap

Passager for trolley with anti-panic sistem

Uni-directional way with flap

Upright extension

Guide arch

SECURITY SYSTEMS

PASSAGE OF ANTI-PANIC TROLLEYS: This system allows the bar to be released by pushing the passing trolleys and allows it to be rotated on the support upright in order to leave the passage free or for an emergency situation or for the passage of pallet , this system are bi-directional.

TURNSTILE'S CROSS SAFETY DEVICE: In the event that a user is inside the walker and there is an emergency situation, there is the possibility by making a push of about 100NM, in the opposite direction to the rotation of the walker, to activate the system security and allow the user to emergency exit.

TURNSTILE ANTI-PANIC DEVICE: In addition to the cross , the turnstile also has a safety system, it is possible to force the release of the fixing plate to the ground, allowing it to be rotated in both directions. This system can be used as an anti-panic system or as a system to allow pallets to enter the POS.

ANTI-PANIC: It is possible to force both the cross and also the turstile to activate the antipanic systems. In case of release of the turnstile from the fixing system to the ground, it must be repositioned manually. While for Cross, the system must be rotated 90° in the opening direction to rearm the anti-panic.

MECHANICAL GATE

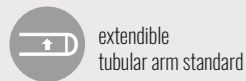
MONO-DIRECTIONAL MECHANICAL TUBULAR GATE



Available with



tubular arm standard



extendible tubular arm standard

Application areas

- ◆ HYPERMARKETS
- ◆ GARDEN CENTER
- ◆ DIY
- ◆ SUPERMARKETS
- ◆ DISCOUNT

DESCRIPTION

Introduced as an economic alternative, they conquered the market by taking the access control segment left empty by the electric door.

Thanks to Made in Italy it is a fundamental deterrent, in the realization of barriers inside the point of sale, both at the entrance and at the exit. Like all products in this segment, they are equipped with an anti-panic device which allows them to be opened in the opposite direction to that of standard opening. Easy to install and suitable for all surfaces. A spring device guarantees return to the closed position, allowing adjustment and setting both in production and directly on site.

Can be used on all tube or plexi doors and inserted signage tables, in our catalogue.

Push mechanism: the return is guaranteed by an internal spring located at the top of the upright with opening direction:

- right
- left
- bi-directional

FEATURES

Drive	Mono-directional mechanics
Weight	15 kg
IP degree	IP 21
Standard	In according to CE Certification

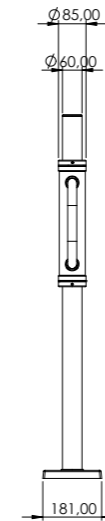
MATERIALS

Column and arm (std)	chromed or painted steel
Cap and Base cover	steel
Mechanism	galvanized steel
Signage table	plastic with acrylic print

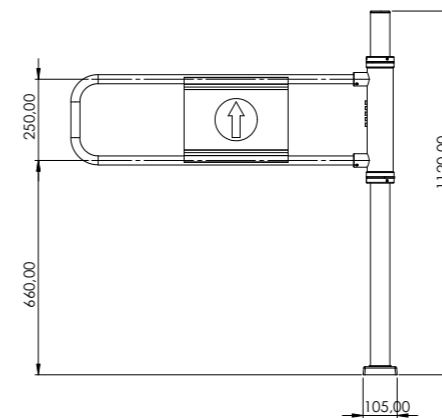
COLORS & CUSTOMIZATIONS



SIZES - LATERAL VIEW



SIZES - FRONT VIEW



ACCESSORIES

Polycarbonate arm

Tubular arm

SECURITY SYSTEMS

ANTI-PANIC: When the mechanical gate is installed on the ground, the fully mechanical panic device with feels the opening of the door with a force, on the door itself, equal to 40 N·m (UNI EN 1125:2008).

SIZES - TOP VIEW





EMERGENCY EXIT

BI-DIRECTIONAL MECHANICAL TUBULAR GATE



Available with

-  tubular arm standard
-  extendible tubular arm standard

Application areas

- ◆ HYPERMARKETS
- ◆ GARDEN CENTER
- ◆ DIY
- ◆ SUPERMARKETS
- ◆ DISCOUNT



DESCRIPTION

Made to manage the gates defined as emergency exits, through an adjustable internal mechanism, it guarantees opening in the event of a push in all directions or escape routes.

Resistant and tested by various mechanical upgrades, equipped with an audible alarm (optional), complete with all the tube or polycarbonate doors available in the catalogue. Take advantage of the anti-panic device, one of the longest-lasting products of our made in Italy production.

COLORS & CUSTOMIZATIONS



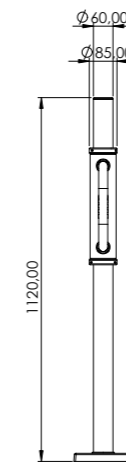
FEATURES

Drive	Bi-directional mechanics
Weight	15 kg
IP degree	IP 21
Standard	In according to CE Certification

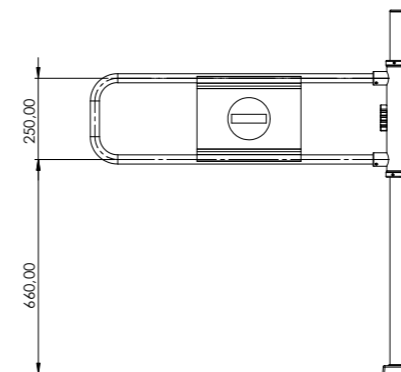
MATERIALS

Column and arm (std)	chromed or painted steel
Cap and Base cover	steel
Mechanism	galvanized steel
Signage table	plastic with acrylic print

SIZES - LATERAL VIEW



SIZES - FRONT VIEW



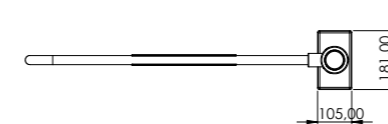
ACCESSORIES

- Polycarbonate arm
- Tubular arm
- Acoustic alarm kit

SECURITY SYSTEMS

ANTI-PANIC: When the mechanical gate is installed on the ground, the fully mechanical panic device with feels the opening of the door with a force, on the door itself, equal to 40 N·m (UNI EN 1125:2008).

SIZES - TOP VIEW





CHECK OUT

MONO-DIRECTIONAL MECHANICAL TUBULAR GATE



Available with

-  tubular arm standard
-  extendible tubular arm standard

Application areas

- ◆ HYPERMARKETS
- ◆ GARDEN CENTER
- ◆ DIY
- ◆ SUPERMARKETS
- ◆ DISCOUNT



DESCRIPTION

Designed to manage and identify check out zone, useful and efficient for blocking the passage of those seeking an exit without payment.

Resistant and perfected by several mechanical upgrades, this gate is completed by all the tube or polycarbonate doors available in the catalogue and an audible alarm (optional). The check out gate can be installed on the floor, directly on the side of the check out counters thanks to the appropriate fitting, or on the wall. The door is equipped with a key lock and a panic device; this exit is still one of the most durable products of our Made in Italy production.

COLORS & CUSTOMIZATIONS



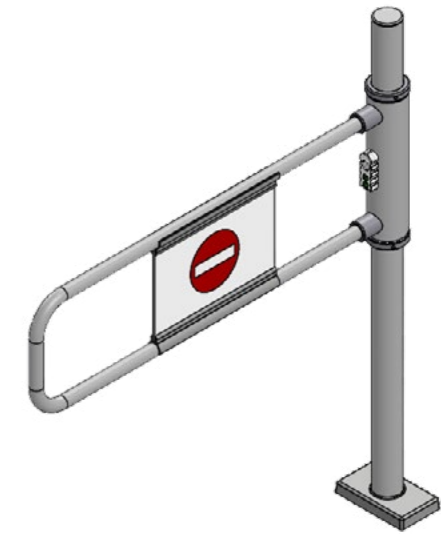
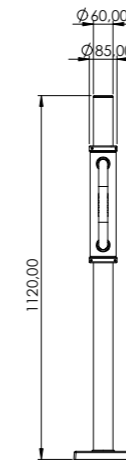
FEATURES

Drive	Mono-directional mechanics
Weight	15 kg
IP degree	IP 21
Standard	In according to CE Certification

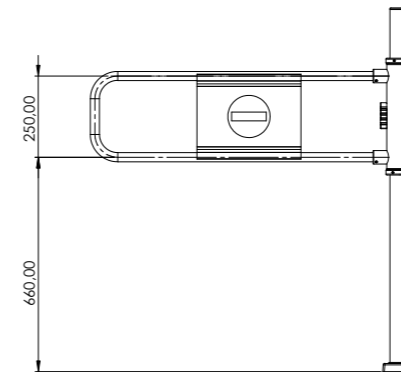
MATERIALS

Column and arm (std)	chromed or painted steel
Cap and Base cover	steel
Mechanism	galvanized steel
Signage table	plastic with acrylic print

SIZES - LATERAL VIEW



SIZES - FRONT VIEW



ACCESSORIES

- Polycarbonate arm
- Tubular arm
- Acoustic alarm kit

SECURITY SYSTEMS

ANTI-PANIC: When the mechanical gate is installed on the ground, the fully mechanical panic device with feels the opening of the door with a force, on the door itself, equal to 40 N·m (UNI EN 1125:2008).

SIZES - TOP VIEW



BARRIERS AND DIVISORS

DIVISORS

TUBULAR STRUCTURES
WITH PLEXIGLASS PANELS



Application areas

- ◆ HYPERMARKETS
- ◆ GARDEN CENTER
- ◆ DIY
- ◆ SUPERMARKETS
- ◆ DISCOUNT

DESCRIPTION

Designed to delimit the areas of the sales surfaces, they allow designers to create devices intended to direct customers along defined paths.

They are an extra weapon to protect the perimeters of the sales areas from possible thefts without compromising the aesthetics of the store. Modular and easy to install, they are made using uprights in chromed or painted steel of diam. equal to 48 mm and panels in transparent acrylic with a thickness equal to 6 mm or in a chromed steel grid. Rectangular steel base hidden by cover (base cover) in chromed or painted steel. The connecting clips are made of chromed polycarbonate or chromed or paintable zamak. Uprights available with 2, 3 or 4 connection clips depending on the height of the partition structure required.

COLORS & CUSTOMIZATIONS



CHROMED STEEL



ANTHRACITE



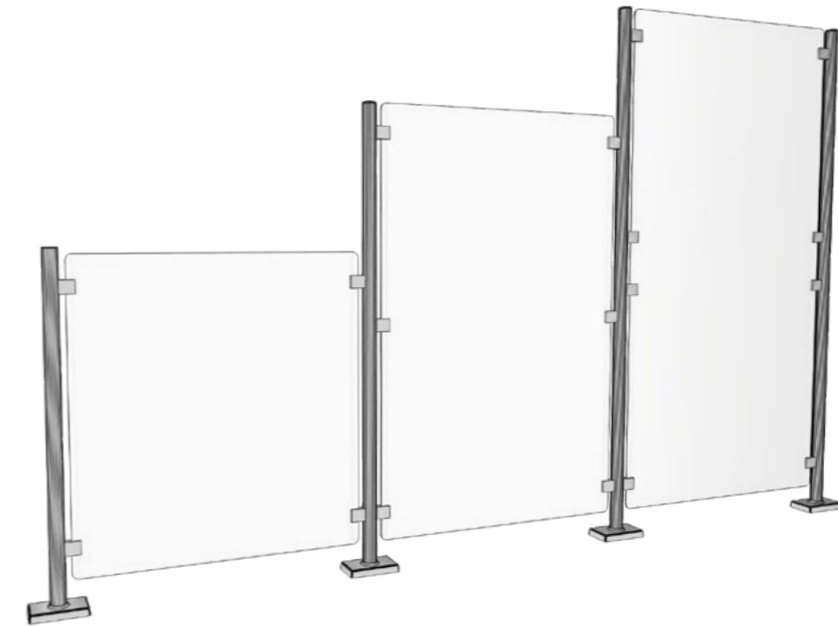
ANY RAL COLOUR

FEATURES

Uprights	Height 1100 cm / 1600 cm / 2000 cm
Weight	6 kg
Standard	In according to CE Certification

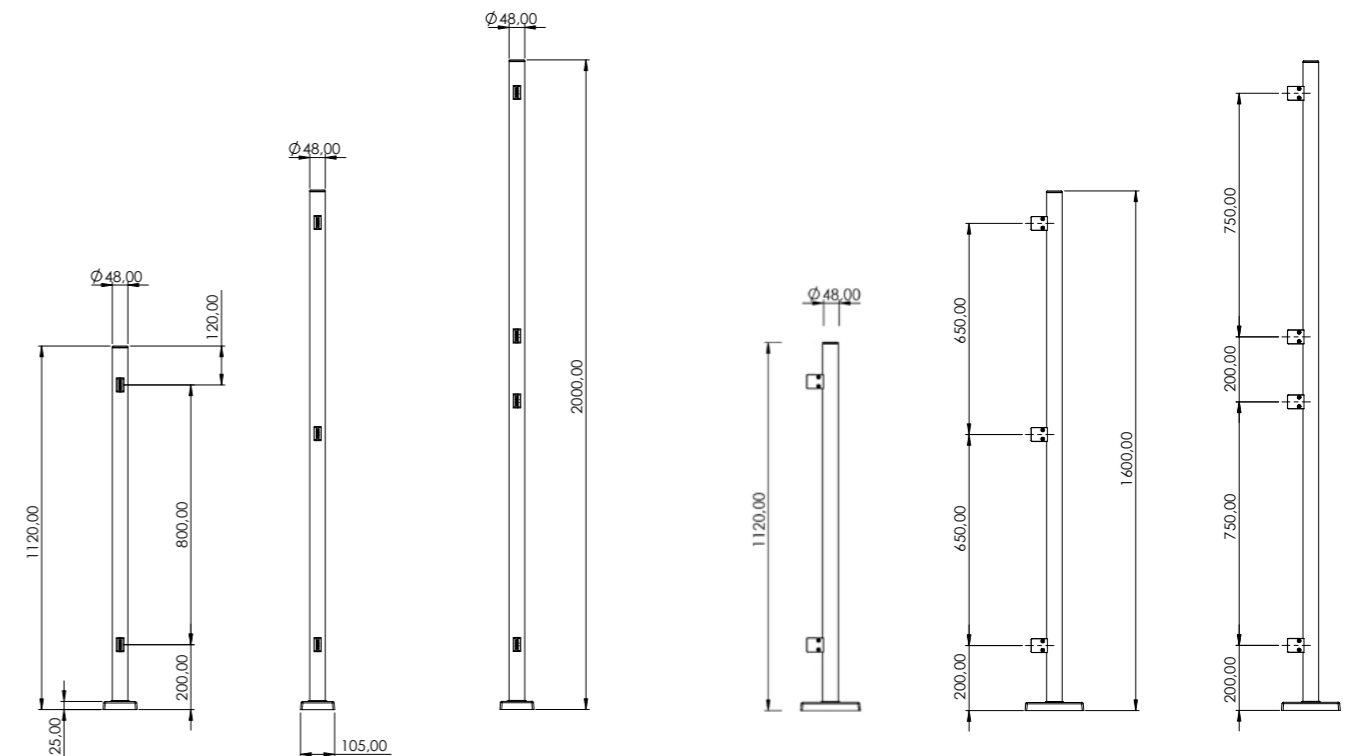
MATERIALS

Uprights and finishes (std)	chromed or painted steel
Cap and Base cover	chromed or painted steel
Connection clip	chromed polycarbonate or chromed and paintable zamak
Panels	transparent acrylic or chromed steel grille

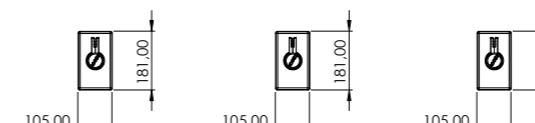


SIZES - FRONT VIEW

SIZES - LATERAL VIEW



SIZES - TOP VIEW



BARRIERS

STEEL
TUBULAR STRUCTURES



Application areas

- ◆ HYPERMARKETS
- ◆ GARDEN CENTER
- ◆ DIY
- ◆ SUPERMARKETS
- ◆ DISCOUNT

DESCRIPTION

Designed to delimit the areas of the sales surfaces, they allow designers to create devices intended to direct customers along defined paths.

They are an extra weapon to protect the perimeters of the sales areas from possible thefts without compromising the aesthetics of the store. Modular and easy to install, they are made using uprights in chromed or painted steel of diam. equal to 48 mm and chromed tubular diam. 40 mm. Rectangular steel base hidden by cover (base cover) in chromed or painted steel. The connecting sleeves are made of chromed or paintable zamak.

COLORS & CUSTOMIZATIONS



CHROMED STEEL



ANTHRACITE



CUSTOM

ANY RAL COLOUR

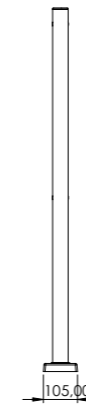
FEATURES

Uprights	Diameter 48 mm
Weight	15 kg
Standard	In according to CE Certification

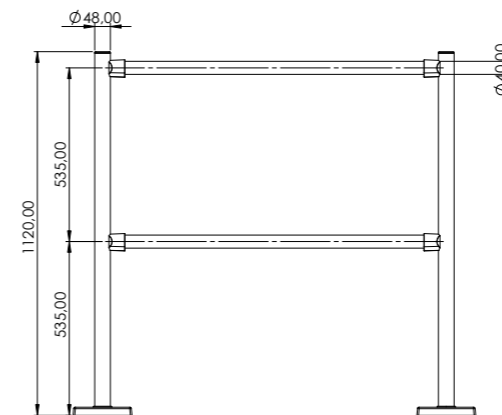
MATERIALS

Uprights and finishes (std)	chromed or painted steel
Cap and Base cover	chromed or painted steel
Connection clip	chromed polycarbonate or chromed and paintable zamak

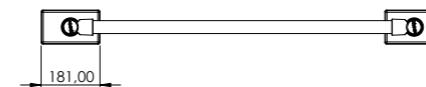
SIZES - LATERAL VIEW



SIZES - FRONT VIEW



SIZES - TOP VIEW



mec+

● ● ● plus people



MEC Plus

Legal Head Office: Via Teresio Olivelli, 3 - 25014 Castenedolo (BS)

Headquarters: Via degli Artigiani, 16 - 26016 Spino d'Adda (CR)

+ 39 030 5356132 • commerciale@mecplus.it • www.mecplus.it