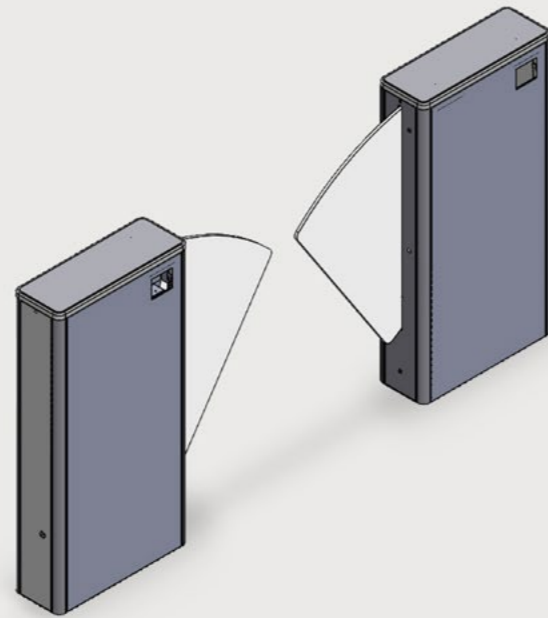


BUTTERFLY

HIGH-SPEED GATE
SLIDING MOTORISED



Application areas

- ◆ OFFICES
- ◆ RECEPTION AREAS
- ◆ GYMS
- ◆ MUSEUMS
- ◆ SPORTS FACILITIES
- ◆ POOLS

DESCRIPTION

Butterfly is the innovation of the barrier by reducing the overall dimensions to a minimum and creating the competent tastes to manage the self-checkouts, in fact it welcomes and guides users and manages their flow, designed and developed in Italy. In addition to the innovative design, the Butterfly is the quietest on the market due to a new technology. The accessories are the touch that allows this Butter Fly to be useful in all situations and can easily be employed. In entrance areas and overall in the check out zone to successfully control people's access or exit Equipped with latest generation electronic devices, it is equipped with software by means of which it is possible to vary the programs and parameters of use with the aid of a joystick in the various menus of our firmware. Elegant in its manners and silent, it is a butterfly that flaps its wings to guide customers towards the exit of the shop.

MATERIALS

Structure (std)	painted
Cap and Shields	steel
Mechanism	galvanized steel
Doors	polycarbonate and customizable

FEATURES

Drive	Sliding gate
Power supply unit	Single-phase 110/220 V AC @ 50/60 Hz
Control logic	26 V DC
Absorption	60 W
Electromagnetic brake	Present and controlled by the CPU
Rotation speed (90°)	2 s +/- 10% (tolerance)
Operating temperature	-10 - +50 °C @ 20 - 90% RH (no cond.)
Weight	45 kg
IP degree	IP 21
Standard	In according to CE Certification

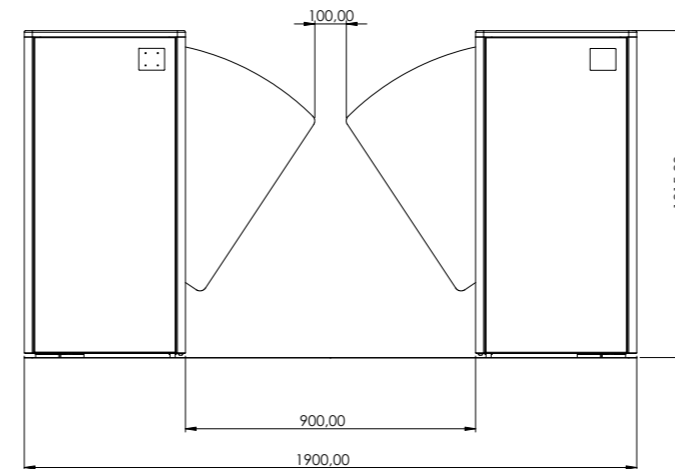
COLORS & CUSTOMIZATIONS



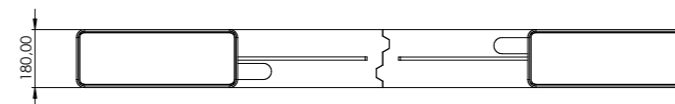
SIZES - LATERAL VIEW



SIZES - FRONT VIEW



SIZES - TOP VIEW



ACCESSORIES

- Radar opening
- Photocell opening
- Normally Open
- Normally Closed
- Barcode reader
- Remote console
- Remote control
- Voice alarm
- Opening counter
- Security photocell
- Led light

SECURITY SYSTEMS

POWER FAILURE: In the event of a power failure, the battery you are free to move (UNI EN 1125). When the power supply return, if the arm has been moved from its "closed" position, it will automatically return to its position.

IMPACT: In case of accidental impact with people or things, the torque is less than 5 N-m with simultaneous stop immediate of the engine.

ANTI-PANIC: If the arm is powered and closed, it is possible force it open with a push ~ 30 N-m (UNI EN 1125); the alarm is activated immediately and after a programmable interval the arm returns automatically.